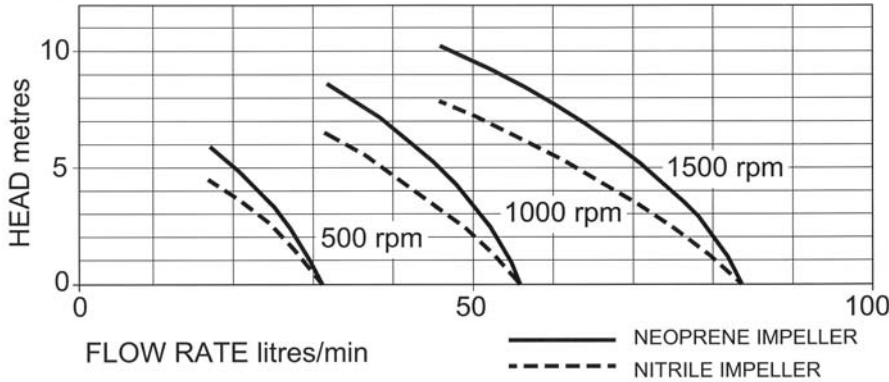


PERFORMANCE:

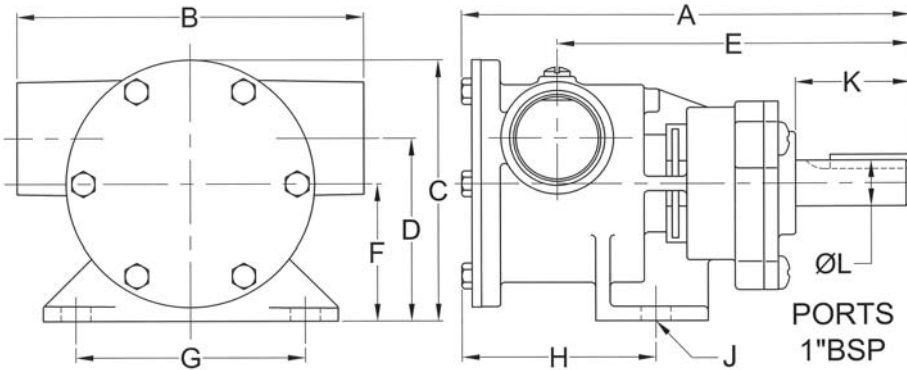


| MODEL | Maximum flow rate | | Maximum head | |
|------------|-------------------|----------|--------------|------|
| | l/min | gall/min | metres | feet |
| 52080-2001 | 82 | 18 | 20 | 65 |
| 52080-2003 | 82 | 18 | 18 | 59 |

Max Power absorbed 550 watt at 1500rpm

DIMENSIONS:

WEIGHT: 2.1Kg



| A | B | C | D | E | F | G | H | J | K | ØL |
|-----|-----|----|----|-----|----|----|----|-----|----|-----|
| 156 | 120 | 91 | 64 | 123 | 48 | 79 | 67 | Ø10 | 40 | Ø16 |

MATERIALS OF CONSTRUCTION:

| | |
|-------------------|--------------------------|
| Body | Bronze |
| Impeller | Neoprene or Nitrile |
| Wearplate | Replaceable |
| Shaft | Stainless steel type 316 |
| Shaft seal | Lip type |
| Bearings | Twin row, ball type |
| Port type | 1" BSP to BS21 (DIN2999) |

MODELS:

52080-2001 Standard Neoprene Impeller

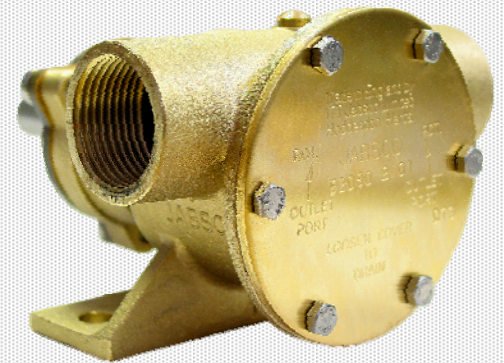
52080-2003 Oil resistant Nitrile

52080-2021 High pressure Neoprene



BRONZE FLEXIBLE IMPELLER PEDESTAL PUMP

52080 SERIES



PUMP with 1" BSP PORTS

- ✦ Constructed from marine quality bronze and stainless steel
- ✦ Self-prime from dry up to 2.4m
- ✦ Easy to service and maintain
- ✦ Will tolerate abrasive wear
- ✦ Handles hard and soft solids without clogging
- ✦ Can pump in either direction
- ✦ Will not airlock