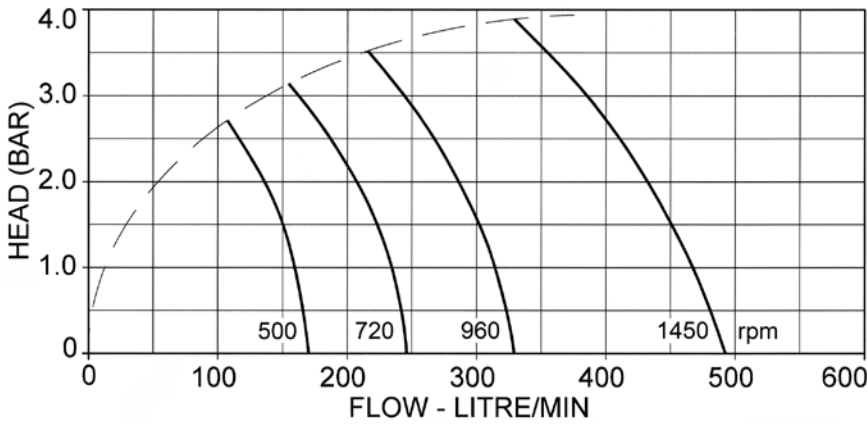
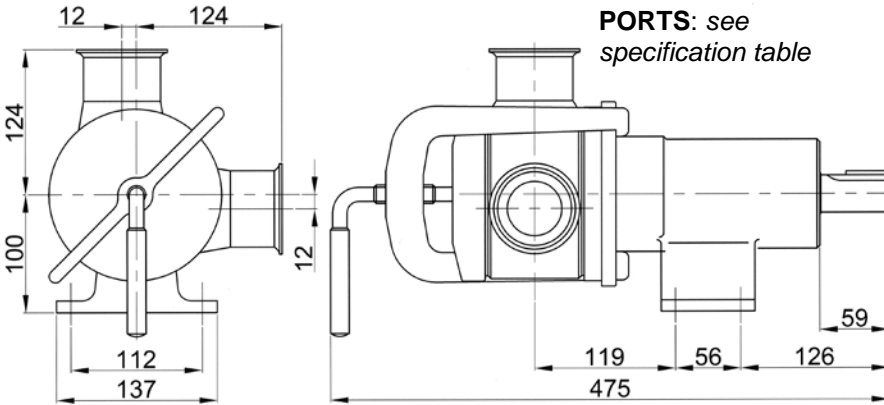


**PUMP PERFORMANCE:**



**DIMENSIONS:**

**WEIGHT: 22 kg**



**SPECIFICATIONS:**

<b>IMPELLER</b>	3A Neoprene
<b>SEAL</b>	Carbon / Stainless steel mechanical face Tungsten carbide / Stainless steel hard faced Flushed options for crystallising fluids
<b>SEAL ELASTOMER</b>	Food grade nitrile 'O' rings
<b>PUMP HEAD</b>	Stainless steel 316 grade, machined interior and electro polished exterior finish
<b>END COVER</b>	Stainless steel 316 grade
<b>SHAFT</b>	Stainless steel 316 grade
<b>BEARINGS</b>	Greased ball bearings
<b>BEARING HOUSING</b>	Epoxy coated cast iron

<b>PORTS</b>	2½"	Tri-clamp	<b>28600-1XXX</b>
	2½"	RJT to BS1864	<b>28600-4XXX</b>
	65mm	DIN 11851	<b>28600-6XXX</b>

**MODEL RANGE:**

<b>TEMPERATURE RANGE</b>	4°C to 65°C
<b>MECHANICAL SEAL OPTIONS</b>	X= port code – see above
Carbon / Stainless steel	<b>28600-X125</b>
Tungsten carbide / SS hard faced	<b>28600-X225</b>
<b>FLUSHED MECHANICAL SEAL</b>	X= port code – see above
Tungsten carbide / SS hard faced	<b>28600-X725</b>
Carbon / Stainless steel	<b>28600-X925</b>



a xylem brand

**28600 SERIES  
HYGIENIC STAINLESS  
STEEL PEDESTAL PUMP**

**500 size**



- \* Self primes from dry up to 3 metres
- \* Flows up to 520 litres per minute
- \* Pressure up to 4.0 bar
- \* Handles soft solids - max. 18mm diameter
- \* FDA Materials Certified
- \* Clean-In-Place (CIP) or easy strip clean
- \* Handles viscosities up to 50,000 centiPoise
- \* Minimal shear to thixotropic fluids
- \* Quick release end cover clamp

Xylem Water Solutions UK Ltd  
Bingley Road  
Hoddesdon  
Hertfordshire • EN11 0BU • UK

Telephone: +44 (0)1462 480380  
Fax: +44 (0)1462 482422  
mail@clegghorn.co.uk  
www.jabscoshop.com

