



CLEGHORN WARING FLOJET

CW474 SERIES DIAPHRAGM PUMPS with A.C. INDUCTION motors

Materials of construction:

Pump head: Glass-filled Polypropylene

Diaphragm: Santoprene®
Geolast®

Valves: EPDM
Nitrile
Viton®

Motor Frame: Painted aluminium

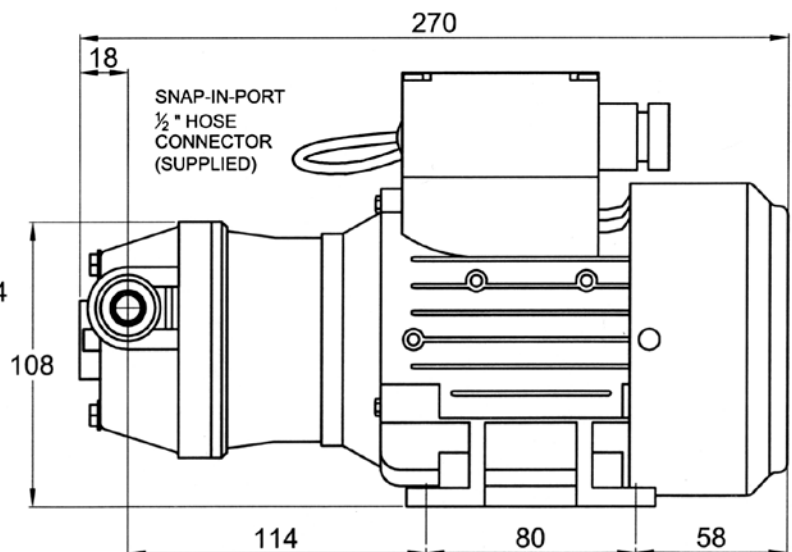
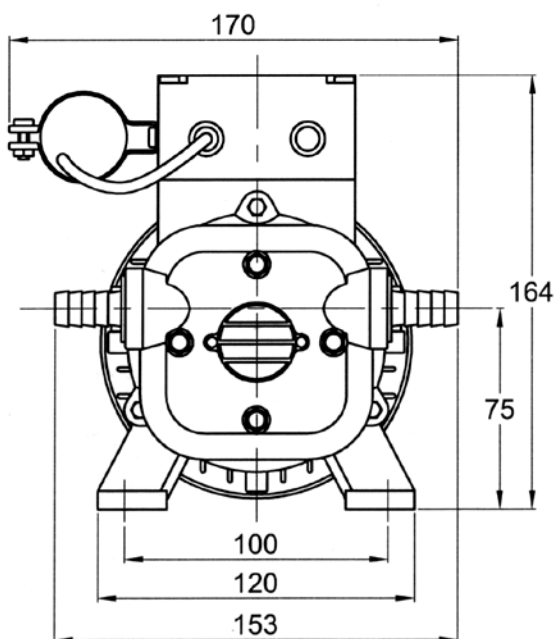
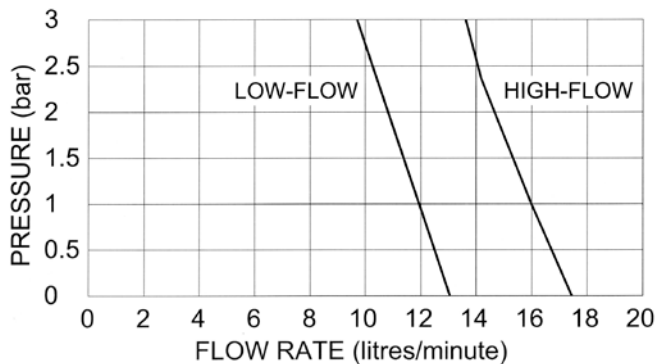
Motor Enclosure: IP55 standard

Motor Power: 0.12kW

- Flow rates up to 18 litres/minute (4 gall/min)
- Pressures up to 3 bar (43 psi)
- Rapid self-priming up to 1.5m
- For water & light water-based chemicals, diesel & light oils
- Smooth flow
- Can run dry without damage
- Light, compact, portable, tough
- Liquid temperatures 7°C to 54°C
- Seal-less design

CW474 series diaphragm pumps are AC motorised versions of the versatile and popular low voltage DC diaphragm range.

- Also available with pressure switch control – see separate data sheet
- 230v/1/50Hz IP55 induction motor
- Choice of elastomer materials

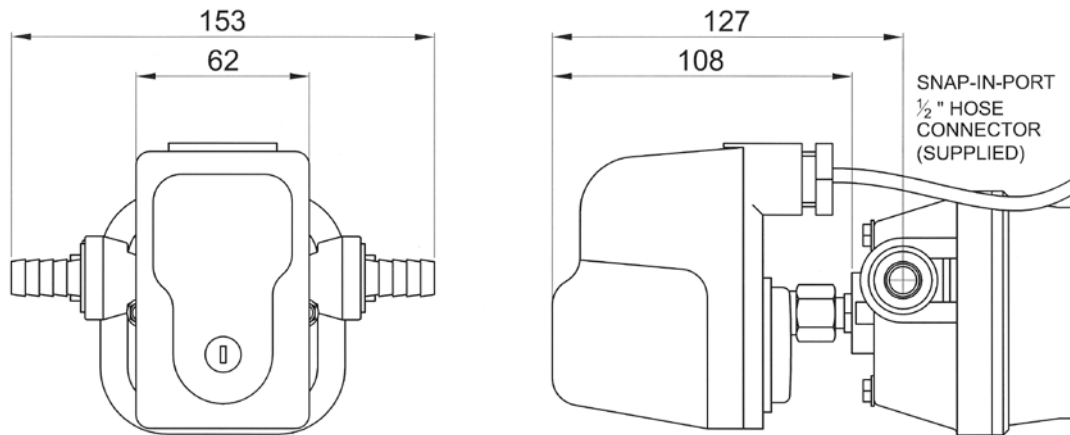


OPTIONAL EXTRA SNAP-IN-PORT ADAPTORS AND INLET STRAINERS ARE AVAILABLE. ASK FOR A DATA SHEET

OPTIONAL EXTRA'S

Pressure Switch Control of CW474

The **CW474** pump is available fitted with an industrial pressure switch, capable of being adjusted over a cut-out pressure range of 1 bar (15 psi) to 3 bar (45 psi). This pressure switch is hose protected to IP55 spec. in line with the motor specification on the **CW474** pump



OPTIONAL EXTRA SNAP-IN-PORT ADAPTORS AND INLET STRAINERS ARE AVAILABLE. ASK FOR A DATA SHEET

Strainers

A surprising amount of debris can find its way into even the cleanest of systems. Keep out solids large enough to interfere with your pump by fitting a strainer in the inlet line to the pump.

We have a range of pug-in and in line strainers designed to match your CW474 pump. Please ask for details



Snap in Port Fittings

Fitting	Port seal O-ring
Straight 1/2" BSP external 1/2" hose 3/4" hose	EPDM Viton
90° Fitting 1/2" BSP external 1/2" hose 3/4" hose	EPDM Viton

