



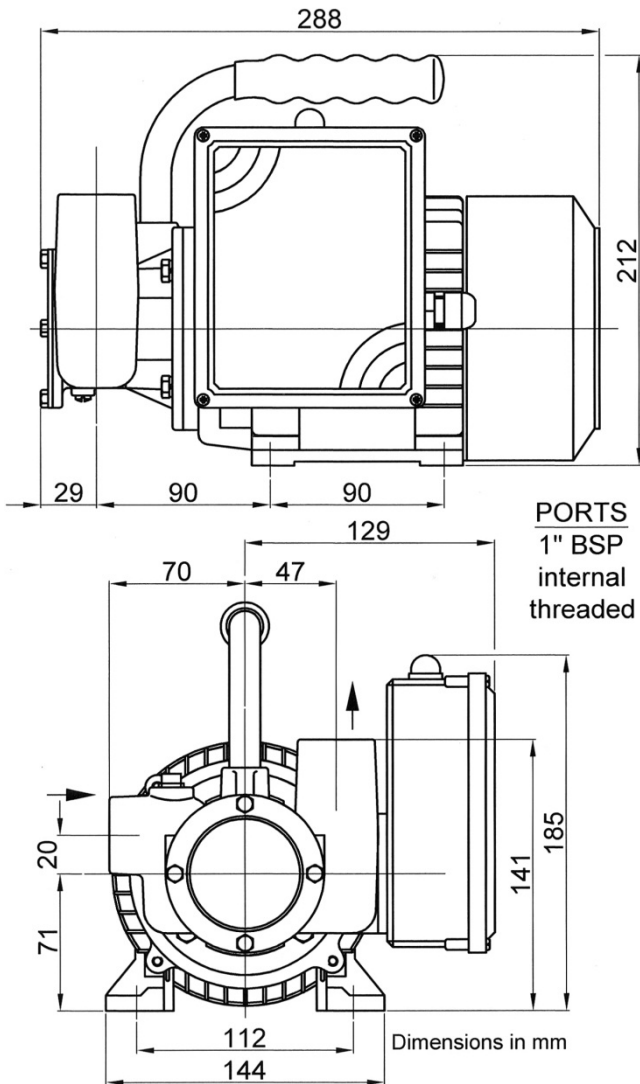
UTILITY PUMPS

a xylem brand



LUBRICATING OIL TRANSFER

40-size UTILITY PUMP with 1" ports and AC electric motor



PUMP MODEL

53041-2053-230	230 volt 1 phase 50Hz 0.3kW
53041-2053-110	110 volt 1 phase 50Hz 0.25kW
53041-2053-400	400 volt 3 phase 50Hz 0.37kW (no handle)

◆ Nitrile oil-resistant impeller fitted as standard.

SPECIFICATION

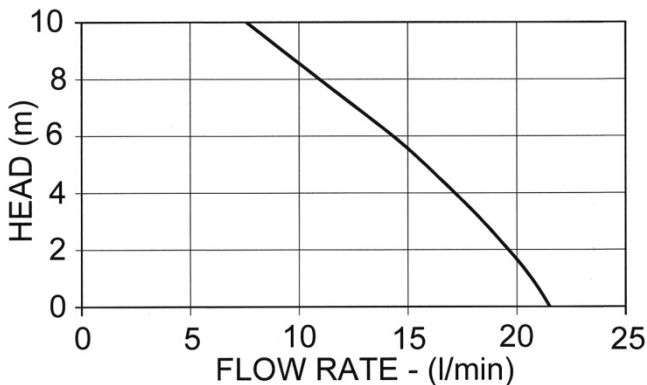
Pump body: bronze *Weight:* 10.5kg
Shaft: AIS316 stainless steel
Shaft seal: mechanical (carbon-ceramic)
Impeller: Nitrile, oil resistant
 Max. recommended liquid viscosity: 1000cSt. Check with your pump supplier if in doubt.

Motor:

4 pole, totally enclosed, fan ventilated, IP55 enclosure. Single-phase motors fitted with manual reset thermal overload cut-out.

- ◆ Rapid self-priming up to 3 metres vertical lift
- ◆ Handles hard and soft solids up to 4mm in size
- ◆ Can pump up to 90% entrained air
- ◆ Up to 30 minutes dry running protection
- ◆ Quick and simple to maintain
- ◆ Light, compact, portable and tough
- ◆ Also available: Higher flow versions for liquid viscosity up to 150 cStokes. Check with your pump supplier.

PUMP PERFORMANCE



WARNING



Explosive hazard. Do not pump gasoline, solvents, thinners or other flammable liquids. To do so can cause an explosion resulting in injury or death

Performance figures are based on manufacturer's tests with warm lubricating oil and are not guaranteed for any particular application.

Product descriptions and specifications are subject to alteration without notice